

**SONY**

Car Stereo  
Service Bulletin

Sony Service Company Technical Services  
A Division of Sony Corporation of America  
Sony Drive, Park Ridge, New Jersey 07656

**Model:** XK-8D

**No.** 107

**Subject:** Direction May Change During Playback

**Date:** July 29, 1988

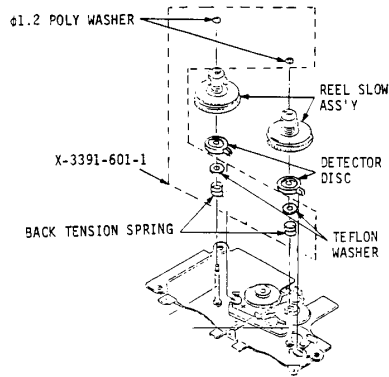
**Symptom:**  
(262)

The back tension spring is weak, so the detector link lever is unstable. Another cause may be the back tension spring is hooked at the detector disc.

**Solution:** Replace the back tension spring and add a teflon washer between the back tension spring and detector disc as shown.

**Note:** When installing the detector disc, the protruded portion must be aligned as shown.

Description	Part Number	Ass'y Contains	
Back Tension		Back Tension Spring	2
Spring Ass'y	X-3391-601-1	Teflon Washer	2
		1.2 Poly Washer	2



U.S. Serial Numbers 10001-16,500

Reference: AU88011

PRINTED IN U.S.A.  
CSA-14788-4

Tape Deck  
CSA-14